



SERVING THE BUILDING SUPPLY
INDUSTRY FOR OVER 60 YEARS

CATALOG

Northern
California

QUALITY PEOPLE

QUALITY PRODUCTS

Here at Bay Cities Metal Products (BCMP), we manufacture top quality sheet metal products for wholesale distributors and do-it-yourself home centers. And if we don't have it, we'll make it. With over 200,000 square feet of manufacturing and warehouse space in two locations, BCMP is ready to serve and fulfill any request.

To place an order, get pricing or other inquiries:
orders.norcal@bcmet.com

PHONE

(888) 888-2501

(209) 721-8910

FAX

(209) 823-6199

PRODUCT FINDER

VENTILATION

Code Caps	4
T-Tops	4

ROOF VENTS

Fan Jacks	5
Roof Safe	5
Eyebrow Vents	6
Half Round Dormers	6
Spark Arrestors	6

PLUMBERS FLASHINGS

Plumbers Flashing	7
Sub-Bases	7

LINEAR & TRANSITION METAL

Nosing Drip	8
Nosing TPO	8
Nosing Grip	9
Roof To Wall	9
Z-Bar	9
Counter Flashing	10
Tile Pan	10
Eave Riser	10
Saddle Stock	10
Gravel Stop	10
Step Shingles	11
Flat Shingles	11
W-Valley	12

GUTTER & ACCESSORIES

Plain Fascia	13
Plain Fascia End Caps	13
Plain Fascia Hangers	13
Decco Fascia	14
Decco Fascia End Caps	14
Decco Fascia Hangers	14
Curved Fascia	15
Curved Fascia End Caps	15
Curved Fascia Hangers	15
Ogee Gutter	16
Ogee Gutter End Cap	16
Ogee Gutter Hanger	16
Tile Fascia	17
Tile Decco	17
Tile Curved	17
Tile End Caps	17
Tile Hanger	17

DOWNSPOUTS

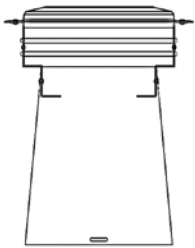
Round Downspouts	18
Round Straps	18
Round Outlets	18
Round Elbows	18
Square Downspouts	19
Square Straps	19
Square Outlets	19
Square Elbows	19

ROOF DRAINAGE

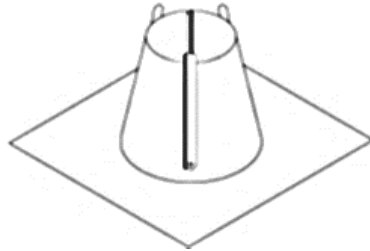
Leader Heads	20
Roof Outlets	20
Scuppers	20

ALUMINUM CODE CAPS

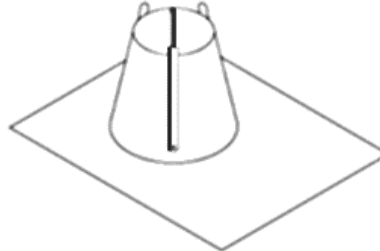
SIZE	TOP ONLY	SIZE	REGULAR	SHAKE	SHAKE W/TILE	DSA BASE	LEAD BASE
3"	14199	3"	10453	10454	-	10301	-
4"	14202	4"	14267	10424	20114	10302	14264
5"	14604	5"	10455	10456	-	10305	-
6"	13914	6"	14268	10625	20069	10306	10447
7"	13810	7"	10457	10458	-	10307	-
8"	13379	8"	14269	10648	20483	20171	10449



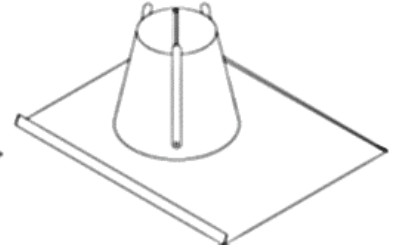
TOP ONLY



REGULAR BASE



SHAKE BASE



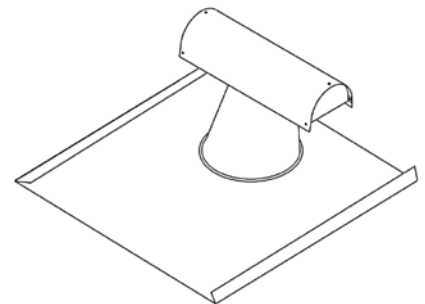
SHAKE BASE w/TILE HOOK

COPPER CODE ASSEMBLIES

SIZE	TOP ONLY - COPPER	SHINGLE BASE - COPPER	SHAKE BASE - COPPER
4"	20863	22115	20862
6"	21930	22116	21925
8"	21931	-	21926

T-TOPS

SIZE	GALV.	DSA	LEAD
4" REGULAR BASE	14427	-	-
4" SHAKE BASE	14350	20047	20811
4" SHAKE BASE w/HEM	14391	-	-
7" REGULAR BASE	14351	-	-
7" REGULAR BASE w/SCREEN & TILE	22557	-	-
7" SHAKE BASE	14524	20886	20812
7" SHAKE BASE w/HEM	21002	-	-
7" SHAKE BASE w/SCREEN	22558	22556	-
7" SHAKE BASE w/SCREEN & TILE	22559	-	-



FAN JACK TOP

SIZE	GALV. 26GA
4" TOP ONLY	20055
6" TOP ONLY	20056
8" TOP ONLY	20015
10" TOP ONLY	21256
12" TOP ONLY	14201

FAN JACK BASE

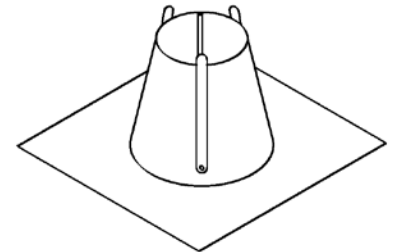
SIZE	SHINGLE	SHAKE	DSA
4" BASE ONLY	20306	20054	21410
6" BASE ONLY	20307	20057	21409
8" BASE ONLY	20308	14603	21411
10" BASE ONLY	-	20881	21301
12" BASE ONLY	-	20908	-

1PC. FAN JACK

SIZE	GALV. 26GA
4" ONE PIECE FLAT	14258
4" ONE PIECE 4/12P	20074
6" ONE PIECE FLAT	14454
6" ONE PIECE 4/12P	20075
8" ONEPIECE FLAT	13722
8" ONE PIECE 4/12P	20434



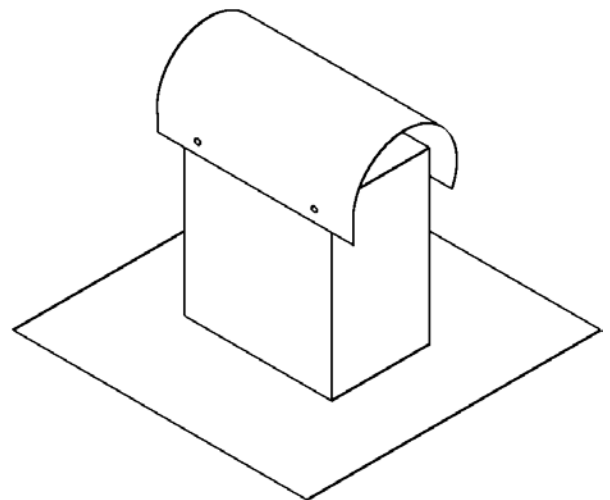
FAN JACK TOP ONLY



FAN JACK BASE ONLY

ROOF SAFE

SIZE	FLAT	HORIZ.	VERT.
4x10 GALVANIZED	20131	12812	20226
4x12 GALVANIZED	13666	20227	20228
4x14 GALVANIZED	12813	12814	14410
5x10 GALVANIZED	20317	20316	20315
5x13 GALVANIZED	20313	20314	20132



EYEBROW VENTS

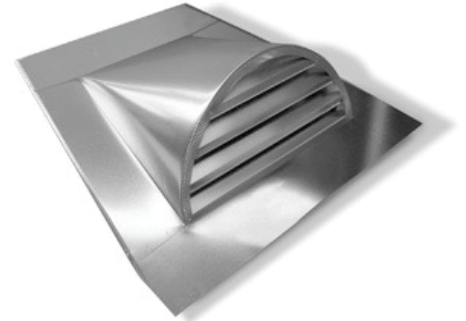
SIZE	GALV.	BROWN	CHARCOAL	DOVE GRAY
4" x 19" REGULAR	13935	22006	22005	22007
4" x 19" SHAKE	13596	-	-	-



Also available with lead or tile hook

HALF ROUND DORMER

SIZE	PART#	QTY.
9 x 18 ZINCALUME	13928	6
12 x 24 ZINCALUME	13211	6



SPARK ARRESTOR

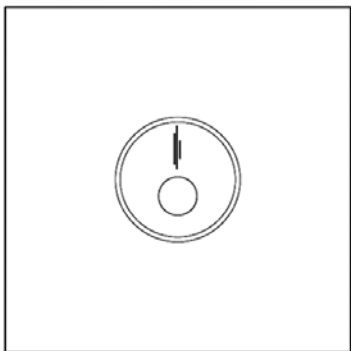
DESCRIPTION	PART#
SPARK ARRESTOR E-Z FIT BLACK	13098

The purpose of a spark arrestor is to catch flammable debris, embers or sparks coming up the flue from open fireplaces or wood-burning stoves. This theoretically prevents the ejected sparks from landing on the roof, nearby trees or flammable materials on the ground, potentially setting them alight.

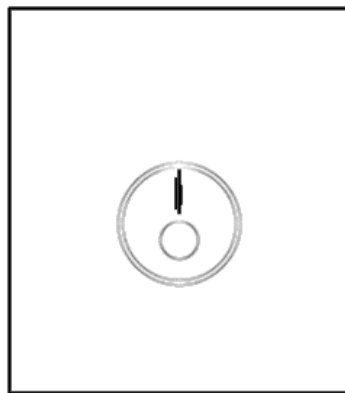


PLUMBERS FLASHING

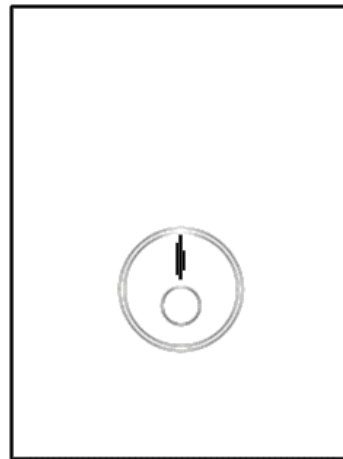
SIZE	REGULAR	SHINGLE	SHAKE	TILE	DEAD SOFT	LEAD
¾" GALVANIZED	12623	14217	12624	12625	12592	12593
1" GALVANIZED	12760	12818	12761	14321	14320	12629
1-1/2" GALVANIZED	12763	12764	14324	12867	14220	12631
1-1/2" ZINCALUME	20946	22032	-	-	-	-
2" GALVANIZED	14236	12618	12766	12617	12669	12637
2" ZINCALUME	20949	22031	-	-	-	-
3" GALVANIZED	12619	12622	12620	12621	12639	12671
3" ZINCALUME	20950	20943	-	-	-	-
4" GALVANIZED	12626	14219	20101	12628	12594	12595
4" ZINCALUME	20953	20944	-	-	-	-
5" GALVANIZED	20484	-	12599	-	21802	20421
5" ZINCALUME	20952	-	-	-	-	-
6" GALVANIZED	20485	-	-	-	-	21663
6" ZINCALUME	20954	-	-	-	-	-



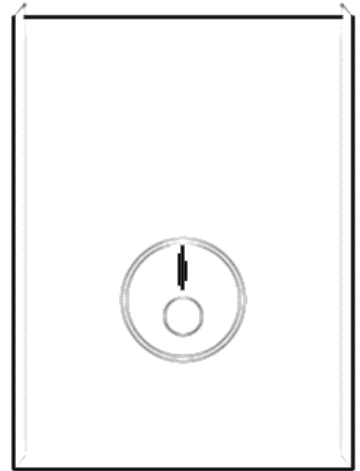
REGULAR BASE 12x15



SHINGLE BASE 18x18



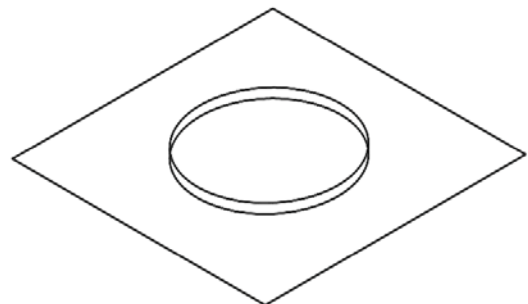
SHAKE BASE 18x24



SHAKE BASE w/TILE

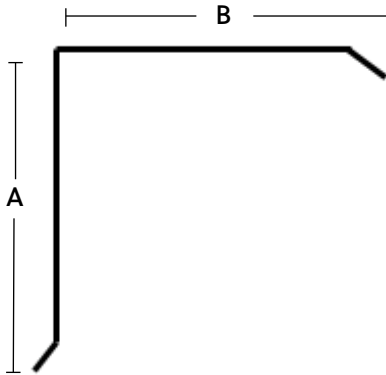
SUB-BASES

SIZE	PART#
3" – 4" SUB-BASE	13960
5" – 6" SUB-BASE	13192
7" – 8" SUB-BASE	13766



PAINTED METAL (26GA)

SIZE (A x B)	BROWN 26GA	CHARCOAL 26GA	WHITE 26GA	QTY
1" x 2" DRIP	12265	12266	12276	20
1-1/2" x 1-1/2" DRIP	12209	13588	12212	20
2" x 2" DRIP	13794	13795	12305	20
2" x 3" DRIP	13895	13896	-	10
3" x 3" DRIP	12165	12166	12168	10



PAINTED METAL (28GA)

SIZE (A x B)	BROWN 28GA	CHARCOAL 28GA	WHITE 28GA	QTY
1" x 2" DRIP	13777	12273	12277	20
1-1/2" x 1-1/2" DRIP	12210	12211	13590	20
2" x 2" DRIP	12303	12304	13798	20
2" x 3" DRIP	12338	12339	12341	10
3" x 3" DRIP	13579	13580	13582	10

BARE METAL

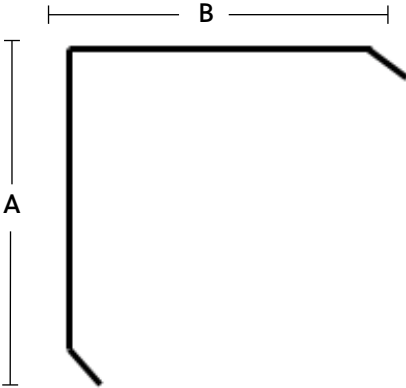
SIZE (A x B)	GALV. 26GA	GALV. 28GA	ZINC. 26GA	ZINC. 28GA	QTY
1" x 2" DRIP	12274	12275	20568	20569	20
1-1/2" x 1-1/2" DRIP	12454	13589	20544	20545	20
2" x 2" DRIP	13796	13797	20582	20583	20
2" x 3" DRIP	13897	12430	20594	20595	10
2" x 4" DRIP	12143	12142	20600	20601	10
3" x 3" DRIP	12167	13581	20612	20613	10
4" x 4" DRIP	12131	13475	20630	20631	10

TPO CLAD METAL

SIZE	TPO WHITE 24GA	QTY
2" x 3" DRIP TPO	21319	20
2" x 4" DRIP TPO	21304	20
3" x 3" DRIP TPO	21320	20
3" x 4" DRIP TPO	21303	10

We also offer custom parts in most types of single ply roofing membranes.

PAINTED METAL (26GA)



SIZE (A x B)	BROWN 26GA	CHARCOAL 26GA	WHITE 26GA	QTY
1" x 2" GRIP	12278	12280	13778	20
1-1/2" x 1-1/2" GRIP	12213	12214	13592	20
2" x 2" GRIP	20377	20437	12319	20
2" x 3" GRIP	13899	12343	12344	10
3" x 3" GRIP	12169	12170	12098	10

PAINTED METAL (28GA)

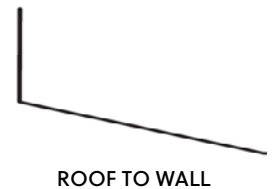
SIZE (A x B)	BROWN 28GA	CHARCOAL 28GA	WHITE 28GA	QTY
1" x 2" GRIP	12279	12281	12284	20
1-1/2" x 1-1/2" GRIP	13591	12215	12217	20
2" x 2" GRIP	12306	12314	12318	20
2" x 3" GRIP	12342	13900	12345	10
3" x 3" GRIP	13583	12095	12099	10

BARE METAL

SIZE (A x B)	GALV. 26GA	GALV. 28GA	ZINC. 26GA	ZINC. 28GA	QTY
1" x 2" GRIP	12282	12283	20570	20571	20
1-1/2" x 1-1/2" GRIP	12216	12455	20552	20553	20
2" x 2" GRIP	20077	12316	20584	20585	20
2" x 3" GRIP	12497	13901	20596	20597	10
3" x 3" GRIP	12096	12097	20614	20615	10

ROOF TO WALL

SIZE:	GALV. 26GA	ZINC. 26GA	BROWN 26GA	CHARCOAL 26GA	WHITE 26GA	LEAD
4" x 6"	12819	20664	20157	20790	20369	-
4" x 8"	-	20666	-	-	-	12820
6" x 8"	20080	20667	-	-	-	-



Z - BAR

SIZE	GALV. 26GA	QTY.
2" x 1" x 1/2"	13132	20
2" x 1-1/2" x 1/2"	20076	20
2" x 2-1/2" x 1/2"	20115	10
3" x 1" x 3"	20081	10



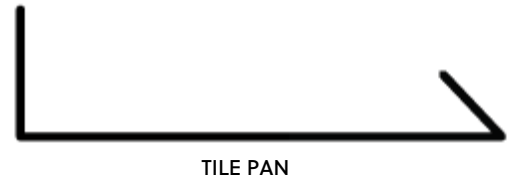
COUNTER FLASHING

SIZE	GALV. 26GA	QTY.
4" COUNTER FLASHING	20219	10
6" COUNTER FLASHING	20220	10
8" COUNTER FLASHING	20221	10



TILE PAN

SIZE A x B x C	GALV. 26GA	ZINC. 26GA	QTY.
4" x 6" x 1" TILE PAN	13979	20669	10
4" x 7" x 1" TILE PAN	13287	20671	10
6" x 7" x 1" TILE PAN	21310	21617	10
6" x 8" x 1" TILE PAN	13485	20674	10



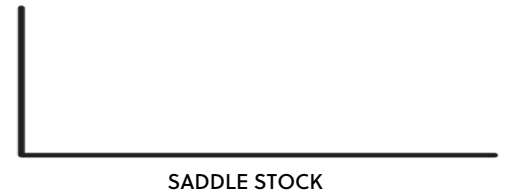
EAVE RISER

DESCRIPTION	PART#	QTY.
BROWN 28GA	13163	10
CHARCOAL 28GA	11061	10



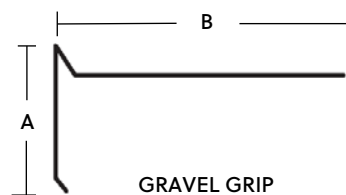
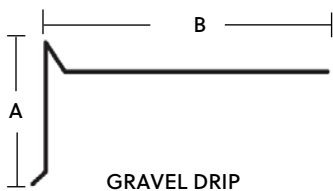
SADDLE STOCK

DESCRIPTION	PART#	QTY
SADDLE STOCK 4"X14" GALVANIZED	13611	10



GRAVEL STOP

SIZE	GALV. 26GA	GALV. 28GA	ZINC. 26GA	ZINC. 28GA	QTY
2x3 GRIP (1/2" RISE)	13448	11602	20503	20504	20
2x4 GRIP (1/2" RISE)	13450	11604	20507	20508	10
3x3 GRIP (1/2" RISE)	13534	11606	20513	20514	10
4x4 GRIP (1/2" RISE)	13536	11648	20517	20518	10
2x3 LOW RISE GRIP (1/4" RISE)	11638	11639	20529	20530	10
2x4 LOW RISE GRIP (1/4" RISE)	13556	-	20533	-	10
3x3 LOW RISE GRIP (1/4" RISE)	13558	11643	20537	20538	10

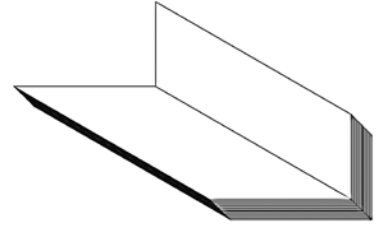


****CUSTOM SIZES AVAILABLE****

CONTACT YOUR SALESPERSON OR OUR OFFICE FOR A QUOTE

STEP SHINGLES

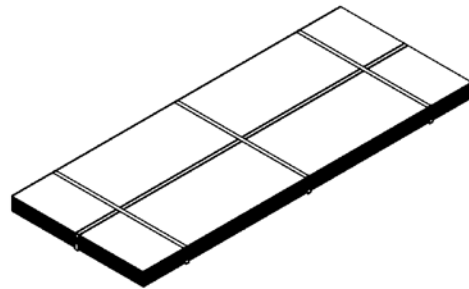
SIZE	GALV. 28GA	GALV. 26GA	BUNDLE
3x5x8	13846	14182	50/BUNDLE
4x6x14	13847	14183	50/BUNDLE
5x5x8	20272	20271	50/BUNDLE
5x5x10	14184	13199	50/BUNDLE



SIZE	BROWN 28GA	BROWN 26GA	CHARCOAL 28GA	CHARCOAL 26GA	WHITE 28GA	WHITE 26GA	BUNDLE
3x5x8	20270	20269	20185	20267	-	20153	50/BUNDLE
5x5x8	20378	20154	21426	-	-	20413	50/BUNDLE

FLAT SHINGLES

SIZE	GALVANIZED 28GA	BUNDLE
5x7 FLAT	11740	50/BUNDLE
6x8 FLAT	10897	50/BUNDLE
8x12 FLAT	11744	50/BUNDLE
10x14 FLAT	13082	50/BUNDLE



SIZE	BROWN 28GA	CHARCOAL 28GA	WHITE 28GA	BUNDLE
5x7 FLAT	13083	11739	11741	50/BUNDLE
6x8 FLAT	11742	13084	-	50/BUNDLE
8x12 FLAT	11743	13086	11745	50/BUNDLE
10x14 FLAT	11736	11737	11738	50/BUNDLE



W-VALLEY 18" w/HEM

SIZE	28GA	26GA
VALLEY 18" GALVANIZED	14584	12563
VALLEY 18" BROWN	13597	14581
VALLEY 18" CHARCOAL	14583	14582
VALLEY 18" WHITE	-	13598

W-VALLEY 24" w/HEM

SIZE	28GA	26GA
VALLEY 24" GALVANIZED	20401	12134
VALLEY 24" BROWN	13604	14590
VALLEY 24" CHARCOAL	14592	14591
VALLEY 24" WHITE	14594	13605

W-VALLEY 3 CROWN w/TILE EDGE



SIZE	26GA
VALLEY 24" GALVANIZED 3 CROWN	13599
VALLEY 24" ZINCALUME 3 CROWN	20678
VALLEY 24" BROWN 3 CROWN	20850
VALLEY 24" CHARCOAL 3 CROWN	20851
VALLEY 24" WHITE 3 CROWN	-
VALLEY 26" GALVANIZED 3 CROWN	13606
VALLEY 26" ZINCALUME 3 CROWN	20683

W-VALLEY 5 CROWN w/TILE EDGE



SIZE	26GA
VALLEY 30" GALVANIZED 5 CROWN	12134
VALLEY 30" ZINCALUME 5 CROWN	14590

5-1/4" PLAIN FASCIA

SIZE	GALV. W/WING	BOND. W/WING	GALV. NO WING	BOND. NO WING
5-1/4" PLAIN FASCIA 25ft.	11833	11832	21724	21650
5-1/4" PLAIN FASCIA 30ft.	13178	11834	-	20143

5-1/4" END CAP

SIZE	GALV.
5-1/4" PLAIN LEFT	13249
5-1/4" PLAIN RIGHT	11368

5-1/4" HANGERS

SIZE	GALV.
HANGER #13 (ROOF TYPE HANGER)	11794
HANGER #4 (HIDDEN HANGER)	13171

7-1/4" PLAIN FASCIA

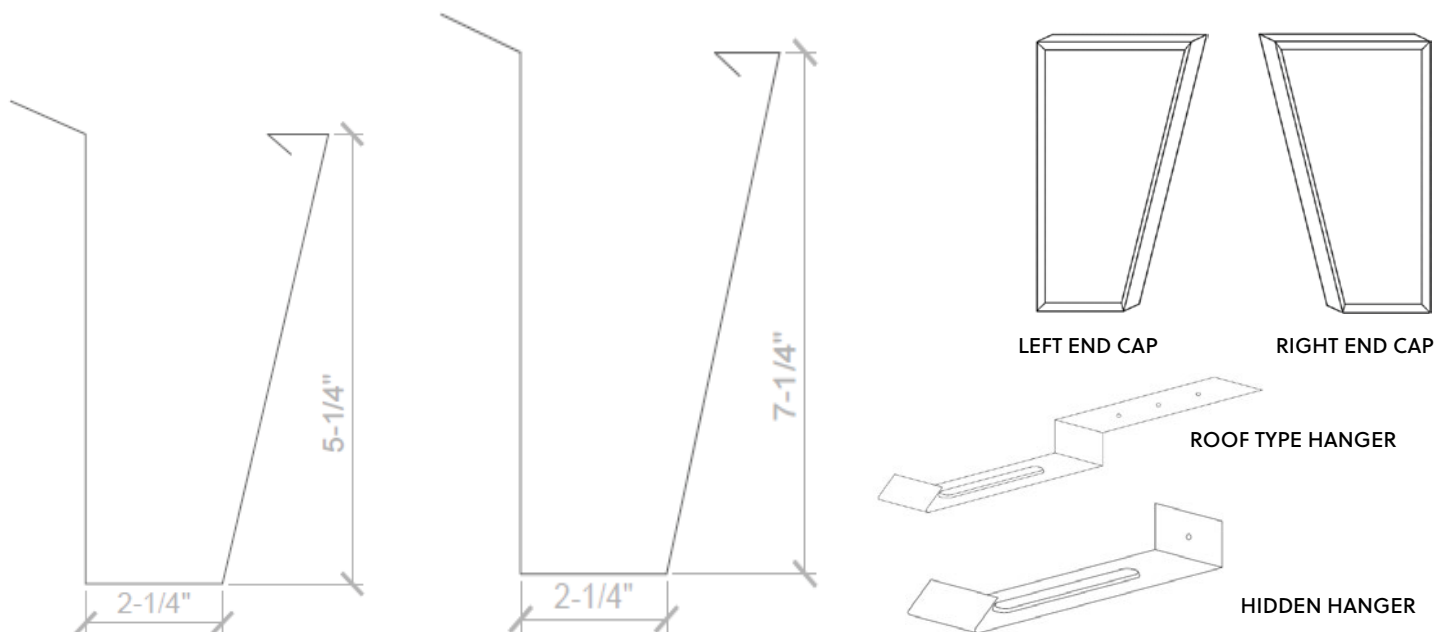
SIZE	GALV. W/WING	BOND. W/WING	GALV. NO WING
7-1/4" PLAIN FASCIA 25ft.	11886	11884	21595
7-1/4" PLAIN FASCIA 30ft.	11980	13188	-

7-1/4" PLAIN END CAP

SIZE	GALV.
7-1/4" PLAIN/TILE LEFT	11652
7-1/4" PLAIN/TILE RIGHT	11653

7-1/4" HANGERS

SIZE	GALV.
HANGER #12 (ROOF TYPE HANGER)	12030
HANGER #2 (HIDDEN HANGER)	11761



CUSTOM LENGTHS AVAILABLE. CONTACT US FOR A QUOTE.

5-1/4 DECCO FASCIA

SIZE	GALV. W/WING	BOND. W/WING
5-1/4" DECCO 25ft.	11827	11826
5-1/4" DECCO 30ft.	11829	11828

5-1/4 END CAP

SIZE	GALV.
5-1/4" PLAIN LEFT	13249
5-1/4" PLAIN RIGHT	11368

5-1/4 HANGERS

SIZE	GALV.
HANGER #13 (ROOF TYPE HANGER)	11794
HANGER #4 (HIDDEN HANGER)	13171

7-1/4 DECCO FASCIA

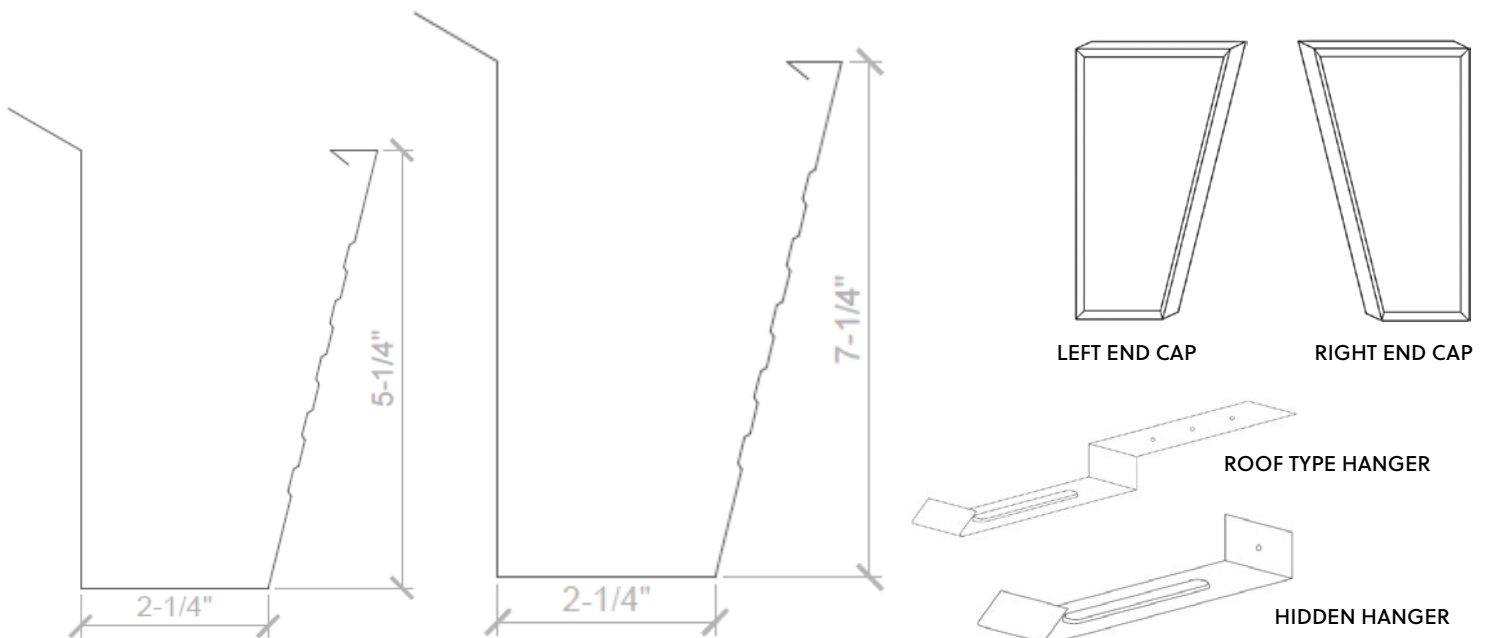
SIZE	GALV. W/WING	BOND. W/WING
7-1/4" DECCO 25ft.	11880	13186
7-1/4" DECCO 30ft.	11882	11881

7-1/4 END CAP

SIZE	GALV.
7-1/4" PLAIN/TILE LEFT	11652
7-1/4" PLAIN/TILE RIGHT	11653

7-1/4 HANGERS

SIZE	GALV.
HANGER #12 (ROOF TYPE HANGER)	12030
HANGER #2 (HIDDEN HANGER)	11761



CUSTOM LENGTHS AVAILABLE. CONTACT US FOR A QUOTE.

5-1/4 CURVED FASCIA

SIZE	GALV. W/WING	BOND. W/WING
5-1/4" CURVED 25ft.	13177	11820
5-1/4" CURVED 30ft.	11823	11822

5-1/4 CURVED END CAP

SIZE	GALV.
5-1/4" CURVED LEFT	11212
5-1/4" CURVED RIGHT	11213

5-1/4 CURVED HANGERS

SIZE	GALV.
HANGER #13 (ROOF TYPE HANGER)	11794
HANGER #4 (HIDDEN HANGER)	13171

7-1/4 CURVED FASCIA

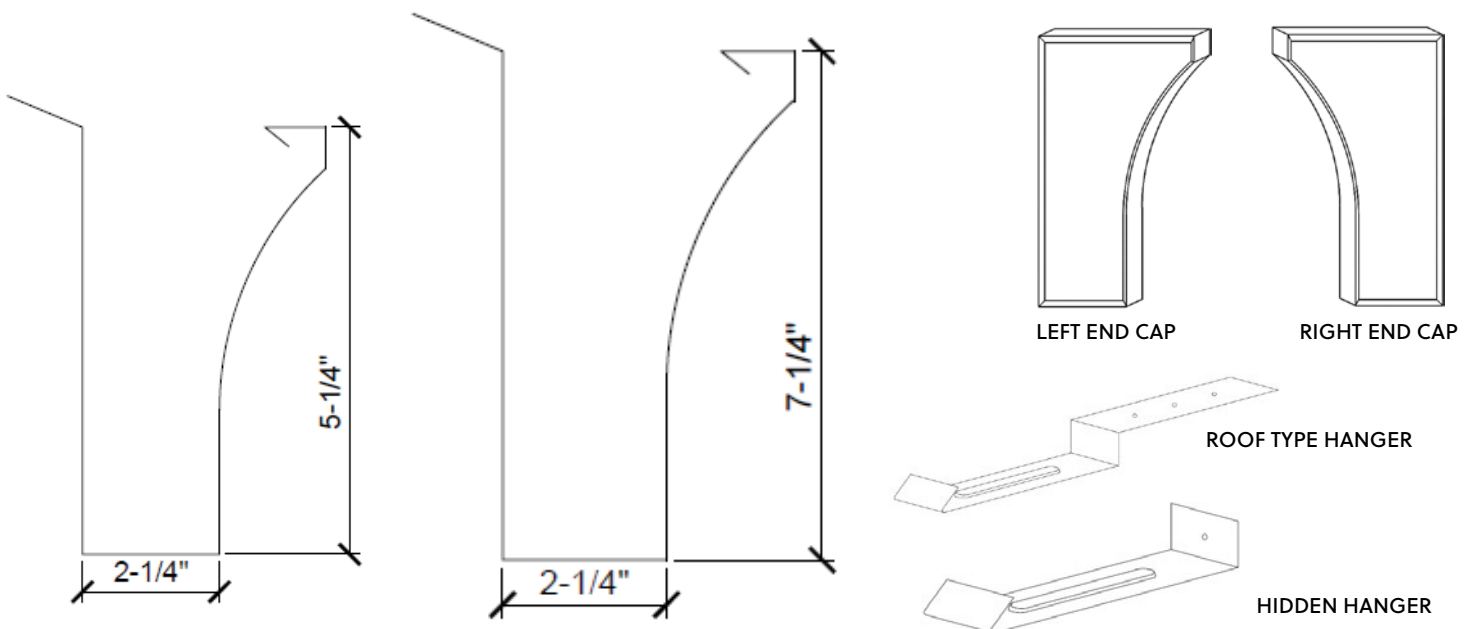
SIZE	GALV. W/WING	BOND. W/WING
7-1/4" CURVED 25ft.	11876	11875
7-1/4" CURVED 30ft.	11878	11877

7-1/4 CURVED END CAP

SIZE	GALV.
7-1/4" CURVED LEFT	11654
7-1/4" CURVED RIGHT	11655

7-1/4 CURVED HANGERS

SIZE	GALV.
HANGER #12 (ROOF TYPE HANGER)	12030
HANGER #2 (HIDDEN HANGER)	11761



CUSTOM LENGTHS AVAILABLE. CONTACT US FOR A QUOTE.

5" OGEE

SIZE	GALV. W/WING	BOND. W/WING	GALV. NO WING	BOND. NO WING
5" OGEE 25ft.	11806	11807	11853	21525
5" OGEE 30ft.	13172	11807	-	21557

5" OGEE END CAP

SIZE	GALV.
5" OGEE LEFT	11461
5" OGEE RIGHT	11462

5" OGEE HANGERS

SIZE	GALV.
HANGER #14 (ROOF TYPE HANGER)	12031
HANGER #5 (HIDDEN HANGER)	12010

6" OGEE

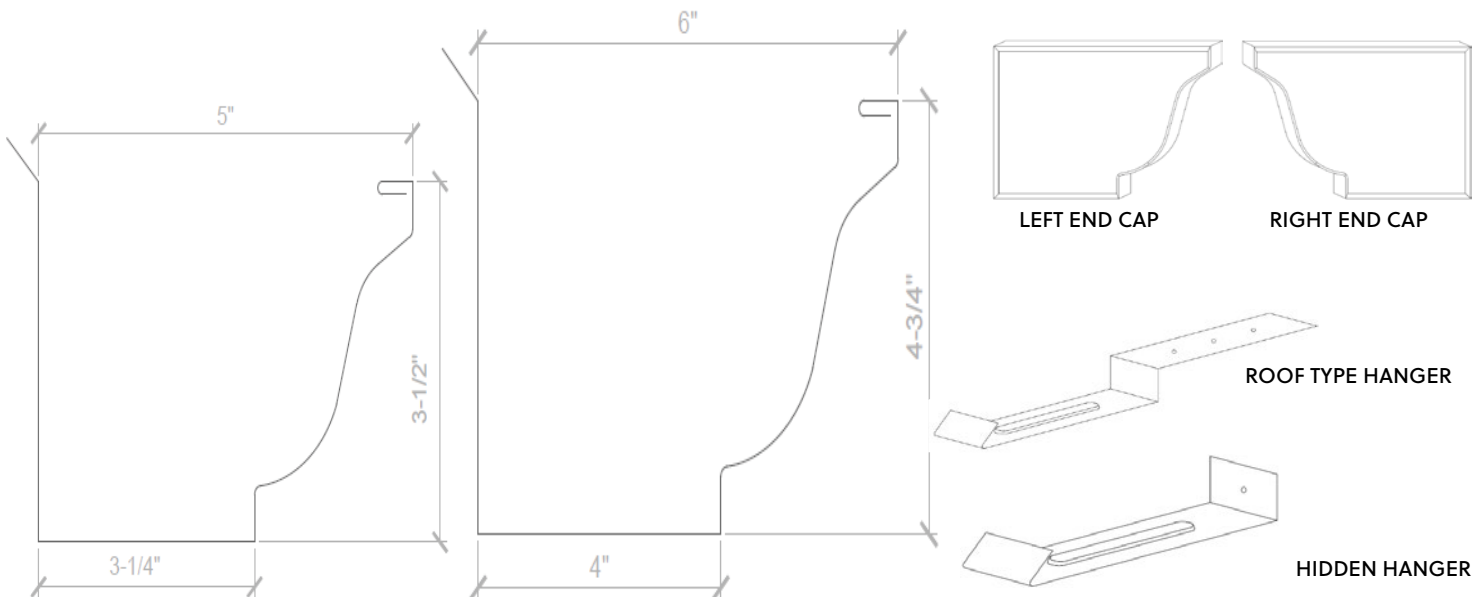
SIZE	GALV. W/WING	BOND. W/WING	GALV. NO WING	BOND. NO WING
6" OGEE 20ft.	11809	20834	-	-
6" OGEE 25ft.	11810	20835	-	-
6" OGEE 30ft.	11812	20836	-	21556

6" OGEE END CAP

SIZE	GALV.
6" OGEE LEFT	20847
6" OGEE RIGHT	20848

6" OGEE HANGERS

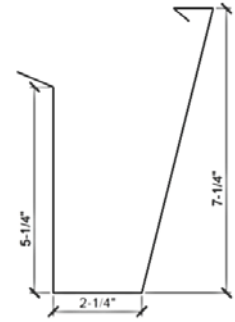
SIZE	GALV.
HANGER #15 (ROOF TYPE HANGER)	12028
HANGER #26 (HIDDEN HANGER)	12029



CUSTOM LENGTHS AVAILABLE. CONTACT US FOR A QUOTE.

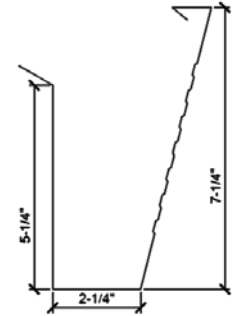
TILE FASCIA

SIZE	BOND. W/WING
GUTTER 7 -1/4 TILE FASCIA 25ft.	13189
GUTTER 7 -1/4 TILE FASCIA 30ft.	11890



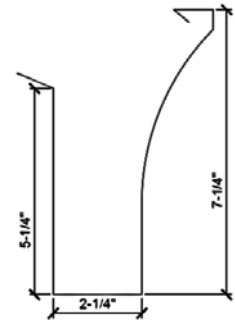
TILE DECCO

SIZE	BOND. W/WING
GUTTER 7 -1/4 TILE DECCO 25ft.	11888
GUTTER 7 -1/4 TILE DECCO 30ft.	21814



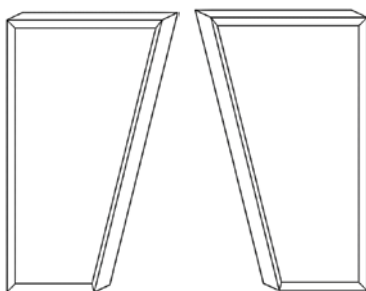
TILE CURVED

SIZE	BOND. W/WING
GUTTER 7 -1/4 TILE CURVED 25ft.	12024
GUTTER 7 -1/4 TILE CURVED 30ft.	21573



TILE END CAPS

SIZE	GALV.
7-1/4 FASCIA/DECCO TILE END CAP LEFT	11652
7-1/4 FASCIA/DECCO TILE END CAP RIGHT	11653
7-1/4" CURVED TILE LEFT	11654
7-1/4" CURVED TILE RIGHT	11655



LEFT END CAP

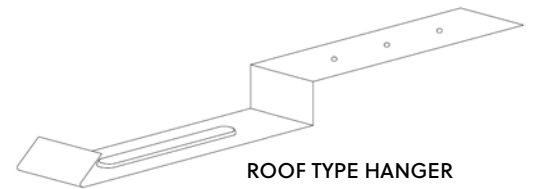
RIGHT END CAP

LEFT END CAP

RIGHT END CAP

TILE HANGER

SIZE	GALV.
HANGER #14 (ROOF TYPE HANGER)	12031

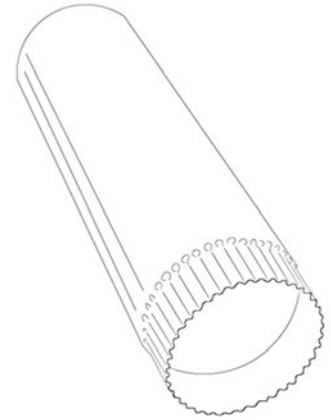


ROOF TYPE HANGER

CUSTOM LENGTHS AVAILABLE. CONTACT US FOR A QUOTE.

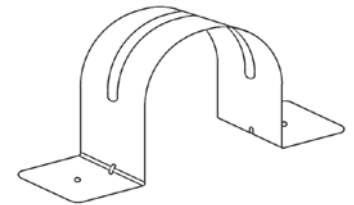
ROUND DOWNSPOUT

SIZE	GALV. 26GA	BOND. 26GA	COPPER 16OZ
2" ROUND 10ft.	10829	13155	10828
3" ROUND 10ft.	10907	10902	10905
4" ROUND 10ft.	11072	-	11070
5" ROUND 10ft.	11076	13165	20833
6" ROUND 10ft.	22025	13166	-



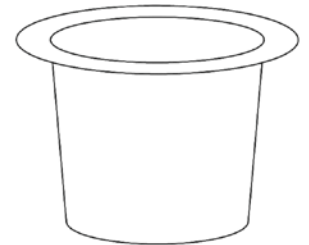
ROUND DOWNSPOUT STRAPS

SIZE	GALVANIZED	BONDERIZED	COPPER
2" ROUND	11114	21334	11113
3" ROUND	11158	11148	11151
4" ROUND	11042	-	11173
5" ROUND	11045	-	-
6" ROUND	11046	-	-



ROUND DROP OUTLETS

SIZE	GALVANIZED	ALUMINUM
2" ROUND	12498	12583
3" ROUND	12365	-
4" ROUND	22134	-



ROUND ELBOWS

SIZE	GALV. 26GA	BOND. 26GA	COPPER 16OZ
2" 45*	11028	21335	11025
2" 75*	13158	21269	11026
2" 90*	11030	21700	11027
3" 45*	11339	21143	13332
3" 75*	11341	11320	11332
3" 90*	13335	21584	11333
4" 45*	11192	11188	11189
4" 75*	13247	21523	13246
4" 90*	11193	-	11190



45 DEGREE



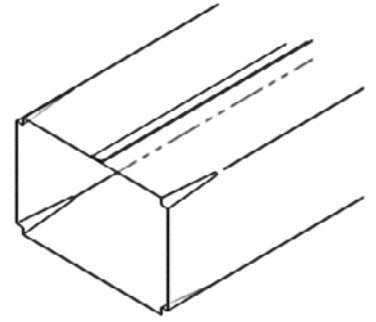
75 DEGREE



90 DEGREE

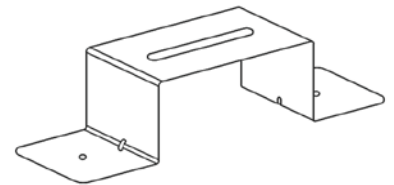
SQUARE DOWNSPOUT

SIZE	GALV. 26GA	BOND. 26GA	COPPER 16OZ
1-3/4" x 2-3/4" 10ft.	10974	10971	10972
1-3/4" x 2-3/4" 11ft.	11003	11001	-
1-3/4" x 2-3/4" 20ft.	11008	11007	-
2" x 3" 10ft.	10856	10853	-
3" x 4" 10ft.	11039	10920	10921



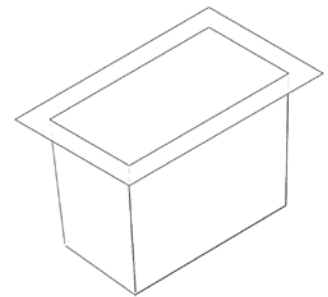
SQUARE DOWNSPOUT STRAPS

SIZE	GALVANIZED	BONDERIZED	COPPER
1-3/4" x 2-3/4" SQUARE	11085	20996	11086
2" x 3" SQUARE	11140	21114	11139
3" x 4" SQUARE	11343	-	11171



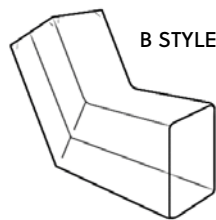
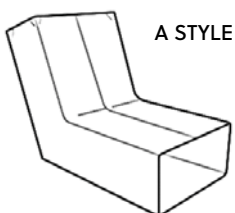
SQUARE DROP OUTLETS

SIZE	GALVANIZED
1-3/4x2-3/4 SQUARE	12360
2x3 SQUARE	12361
3x4 SQUARE	12362



SQUARE ELBOWS

SIZE	GALV. 26GA	SIZE	GALV. 26GA	SIZE	GALV. 26GA
1-3/4" x 2-3/4" A45*	11084	2" x 3" A45*	21737	3" x 4" B45*	21582
1-3/4" x 2-3/4" B45*	11106	2" x 3" B45*	21740	3" x 4" A75*	21691
1-3/4" x 2-3/4" A75*	11062	2" x 3" A75*	21738	3" x 4" B45*	20692
1-3/4" x 2-3/4" B75*	11016	2" x 3" B45*	21741	3" x 4" B90*	21581
1-3/4" x 2-3/4" A90*	13164	2" x 3" A90*	21739		
1-3/4" x 2-3/4" B90*	11017	2" x 3" B90*	21742		



45 DEGREE



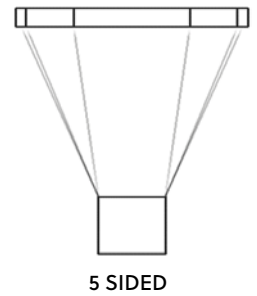
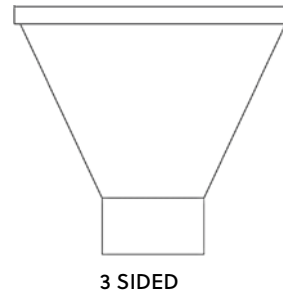
75 DEGREE



90 DEGREE

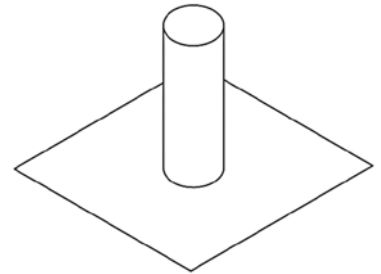
LEADER HEADS

SIZE	GALV. 26GA
1 -3/4 x 2-3/4 – 3 SIDED W/BAND	11913
1 -3/4 x 2-3/4 – 5 SIDED W/BAND	12045
2 x 3 – 3 SIDED W/BAND	11915
3 x 4 – 3 SIDED W/BAND	21431



ROOF OUTLETS

SIZE	PART#	SIZE	PART#
2" x 5"	12810	3" x 5"	14409
2" x 10"	13665	3" x 10"	12811



SCUPPERS

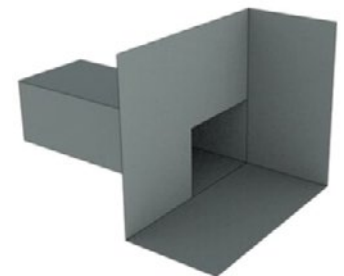
SIZE	PART#
SCUPPER CENTER 1 -3/4x2-3/4 ROOF GALVANIZED FLAT	14192
SCUPPER CENTER 1 -3/4x2-3/4 WALL GALVANIZED 90 DEG	14293
SCUPPER CENTER 3x4 ROOF GALVANIZED FLAT	14296
SCUPPER CENTER 3x4 WALL GALVANIZED 90 DEG	14128
SCUPPER CENTER 4x4 ROOF GALVANIZED FLAT	14129
SCUPPER CENTER 4x4 WALL GALVANIZED 90 DEG	13388
SCUPPER CENTER 4x6 ROOF GALVANIZED FLAT	14298
SCUPPER CENTER 4x6 WALL GALVANIZED 90 DEG	13389



LEFT SCUPPER



CENTER SCUPPER



RIGHT SCUPPER